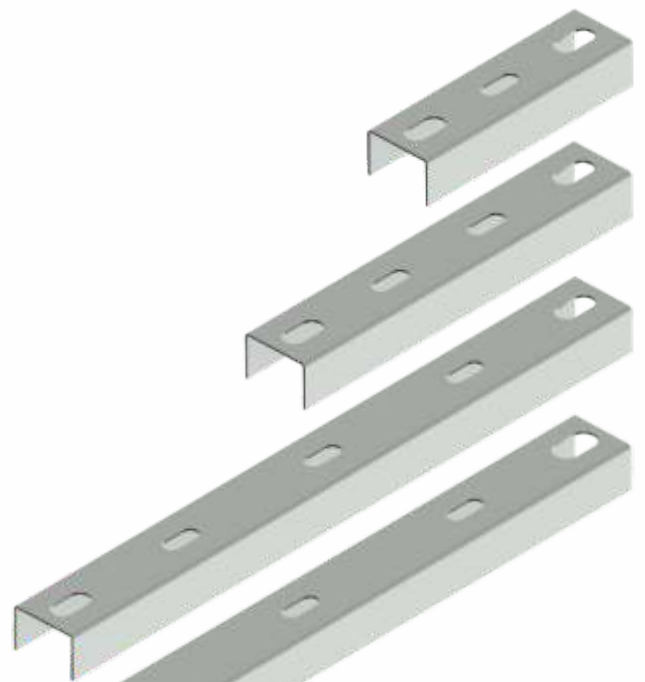


| item number                         | L<br>mm | outer holer<br>(A)<br>mm | thickness of<br>metal sheet<br>mm | weight<br>kg/pc |
|-------------------------------------|---------|--------------------------|-----------------------------------|-----------------|
| <b>NZ 62_S</b><br><b>NZ 62_ZM</b>   | 107     | 9x18                     | 1,0                               | 0,06            |
| <b>NZ 125_S</b><br><b>NZ 125_ZM</b> | 170     | 9x18                     | 1,0                               | 0,09            |
| <b>NZ 250_S</b><br><b>NZ 250_ZM</b> | 295     | 9x18                     | 1,0                               | 0,15            |
| <b>NZ 500_S</b><br><b>NZ 500_ZM</b> | 545     | 11x20                    | 1,0                               | 0,29            |



**product description:** This suspension piece is suitable for creating a support for a cable tray running through a MARS cable tray. It is fixed in place using two ZT 8 threaded rods (ZT 10 if NZ 500 is used).  
 The cable tray is attached to the suspension piece using NSM 6X10 bolts. To protect the cables, the bolt head is inside the cable tray.  
 ZM surface finish suspension piece shall be used for F surface finish trays.  
 GMT surface finish bolts shall be used for F surface finish trays.  
 These items can also be ordered in a varnished version.

**surface finish:** S - Pre-Galvanized steel according to ČSN EN 10346, ČSN EN 10143, zinc-layer 15-27 µm  
 ZM - Pre-Galvanized steel with admixture of magnesium and aluminum according to ČSN EN 10346, ČSN EN 10143, protective layer 18-31 µm (replacement of hot dip galvanizing)

**sales amount:** á 1 pc

**meets the requirements:** ČSN EN 61537:02

**storage:** ČSN EN 60721-3-1

