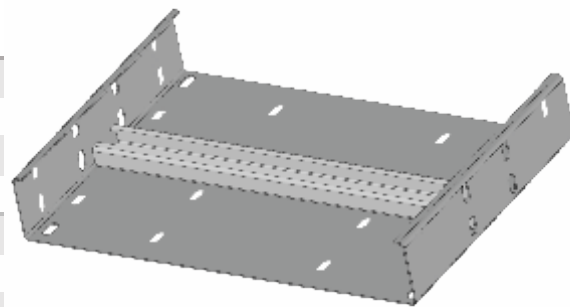


item number	width of cable ladder (mm)	height of cable ladder (mm)	thickness of metal sheet (mm)
KPBSKL 150_PO	150	60	1,5
KPBSKL 200_PO	200	60	1,5
KPBSKL 300_PO	300	60	1,5
KPBSKL 400_PO	400	60	1,5
KPBSKL 150_POF	150	60	1,5
KPBSKL 200_POF	200	60	1,5
KPBSKL 300_POF	300	60	1,5
KPBSKL 400_POF	400	60	1,5



product description: This cable coupling is suitable for connecting standardized constructions of cable ladders by NSM 6X10 screws.

surface finish: PO - Pre-Galvanized, zinc-layer 15 - 27 µm
POF - Hot Dip Galvanized, average zinc-layer 55 µm (min. 45 µm)

sales amount: á 1 pc

meets the requirements: EN 61537:02

classification: ČSN 73 0895P 90-R
DIN 4102-12 E 90
STN 92 0205 PS 90

Fire classification is depend on the specific conditions of the cable tray, detailed in the catalog Systems with maintained functionality in fire.

Systems may be supplied with various surface finishes whereas the surface finish does not affect the determined maintained time of operability in fire.

storage: EN 60721-3-1

