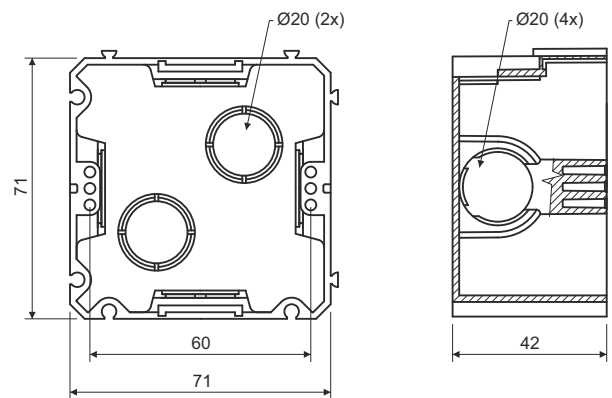
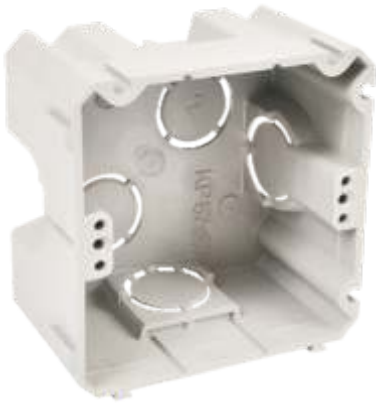


junction box

KP 67X67

product description: designed for distribution system with voltage 400 V and with maximum current 16 A
 vertical and horizontal connection with a spacing of 71 mm (up to 5 boxes)
 spacer for a spacing of 83 mm
 suitable for 2x double frame (Element)
 allows to install double-socket
 square shape increases the mounting volume of the box

material: PVC

color: gray

self-snuffing: yes, within 30 s

temperature resistance: -5 - +60 °C

flaming loop test: 850 °C

fire class for underlying material: A1-D

weight: 49 g

certification: EN 60 670-1

storage: ČSN 64 0090

configuration: KA - device screws included in the package - package: 100 pcs loose in cardboard

accessories: compensating spacer DR42
 screwless terminal plates TYP015, TYP016, TYP017, TYP018