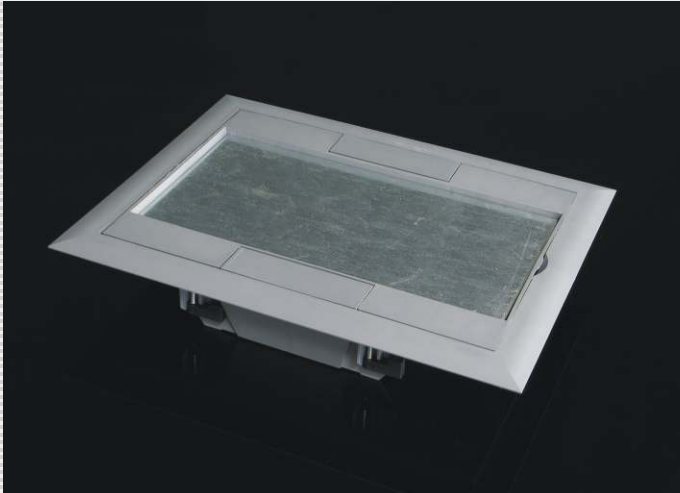


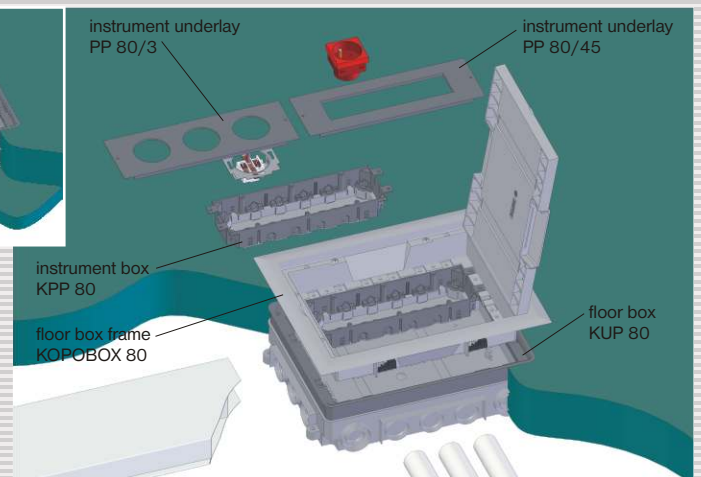
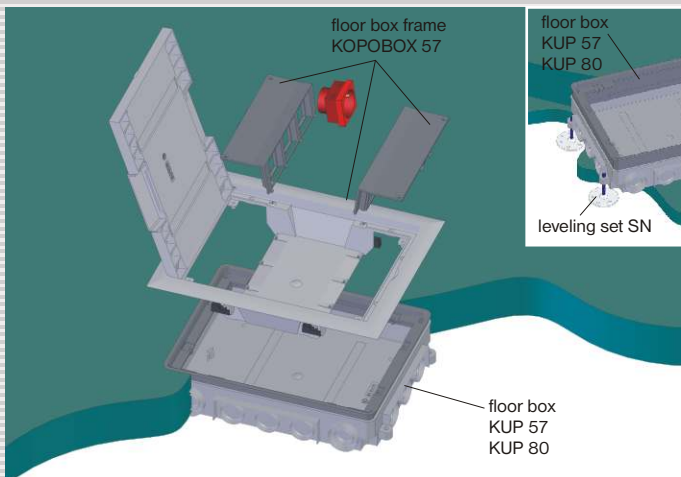
INSTALLATION BOXES INTO THE CONCRETE AND DOUBLED FLOORS



KOPOBOX 57

sets to a concrete floor

KOPOBOX 80



The complete set of a floor box composed of KOPOBOX 57 and KUP 57 or KUP 80 is designated for the assembly of the modular devices 45 x 45 mm. The mounting feet are not used during the installation of the box KOPOBOX 57 into KUP.

Instructions for the assembly of KOPOBOX 57:

Installation box KUP 57 is suitable for the concrete layers from 57 mm up to 75 mm, KUP 80 is suitable for the concrete layers from 80 up to 95 mm. Installation boxes are fixed to the surface by screws or cartridge shooting nails in the prepressed points. The height of the box can be adjusted by raising of insertion in range from 57 up to 75 mm (KUP 57) or from 80 up to 95 mm (KUP 80) with screws.

In case of concrete layer higher than 75 mm (KUP 57) or 95 mm (KUP 80) is necessary to use a levelling set SN (4 pcs) anchored to the surface. The levelling set enables to adjust the height of the box by 35 mm. The box is adapted for the installation of electrical pipes and floor trunkdings. Every single input together with raising insertion for height setting must be sealed to avoid breaking the concrete into the box.

During placement of concrete it is necessary to use a cover board (included KUP) to prevent the box from being filled with concrete. After the concrete mix hardens and the cover board is removed the floor box KUP is fitted with a frame of the floor box KOPOBOX 57. In to the frame there are then installed the holders of the devices and there is performed the electrical installation of the modular devices.

The complete set of the floor box composed of KOPOBOX 80 and KUP 80 is designated for the installation of classic and also modular devices. The selection of the type of devices being installed is given by the type of the devices underlay. The mounting feet are not used during the installation of the box KOPOBOX 80 into KUP 80.

Instructions for the assembly of KOPOBOX 80:

Installation box KUP 80 is suitable for the concrete layers from 80 mm up to 95 mm. It is fixed to the surface by screws or cartridge shooting nails in the prepressed points. The height of the box can be adjusted by raising of insertion in range from 80 up to 95 mm with screws.

In case of concrete layer higher than 95 mm there is necessary to use a levelling set SN (4 pcs) anchored to the surface. The levelling set enables to adjust the height of the box by 35 mm.

KUP 80 is adapted for the installation of electrical pipes and floor trunkdings. Every single input together with raising insertion for height setting must be sealed to avoid breaking the concrete into the box.

During placement of concrete it is necessary to use a cover board (included KUP 80) to prevent the box from being filled with concrete. After the concrete mix hardens and the cover board is removed the floor box KUP 80 is fitted with a frame of the floor box KOPOBOX 80. The set can be fitted with modular and also classic devices.

Modular devices:

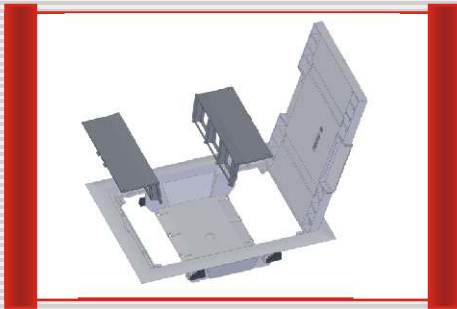
- installation into KPP 80 + PP 80/45,
- installation directly on PP 80/45, while using the cross-piece PKUP.

Classic devices:

- installation into KPP 80 + PP 80/3 for the non-fitted assembly openings use the end cap ZPP,
- installation directly on PP 80/3, while using the cross-piece PKUP. For the non-fitted assembly openings use the end cap ZPP.

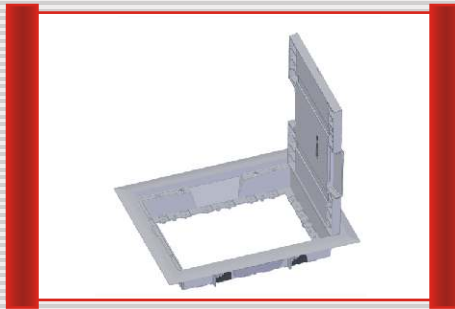
For installation into the doubled floors there is used only the floor box frame KOPOBOX 57 (80).

set elements of installation boxes into the concrete and doubled floors



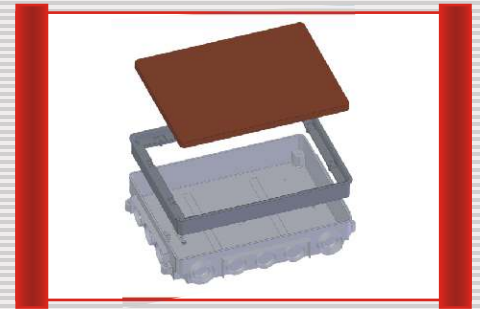
KOPOBOX 57
floor box frame

Designated for installation into the universal floor box KUP 57 or KUP 80.
Enables the assembly of modular Instruments 45 x 45 mm (max. 6 pc).
The sheet metal reinforcement of the cover ensures its high mechanical rigidity while maintaining the possibility of inserting the final floor covering.
The cover has 2 tilt flaps enabling the leading out of cables from the box.
Applicable for independent use into the doubled floors.



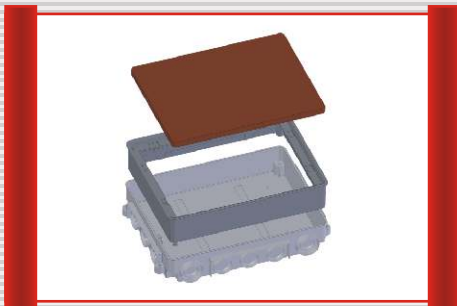
KOPOBOX 80
floor box frame

Designated for installation into the universal floor box KUP 80.
The use of instrument boxes KPP 80 (max. 2 pc) with the instrument underlay pieces PP 80/3 enables the assembly of modular instruments (max. 6 pc), with underlay pieces PP 80/45 it enables the assembly of modular instruments (max. 8 pc).
The sheet metal reinforcement of the cover ensures its high mechanical rigidity while maintaining the possibility of inserting the final floor covering.
The cover has 2 tilt flaps enabling the leading out of cables from the box.
Applicable for independent use into the doubled floors.



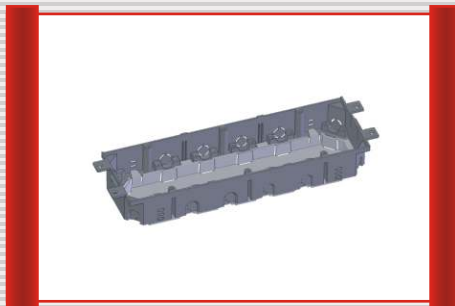
KUP 57
universal floor box

Serves for the assembly into the concrete floor.
After the concrete mix hardens it is fitted with the floor box KOPOBOX 57.
The package includes a cover board which prevents the box from being filled with concrete during concrete applying.
The minimum height of the concrete layer is 57 mm, maximum height is 75 mm. The height of the box can be adjusted by raising the insertion with screws. For higher concrete layer than 75 mm is necessary to use a levelling set SN (4pcs).
The box is adapted for the installation of electrical pipes and floor trunkings.



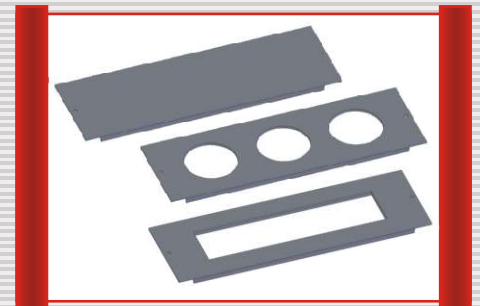
KUP 80
universal floor box

Serves for the assembly into the concrete floor.
After the concrete mix hardens it is fitted with the floor box KOPOBOX 57 and KOPOBOX 80.
The package includes a cover board which prevents the box from being filled with concrete during concrete applying.
The minimum height of the concrete layer is 80 mm, maximum height is 95 mm. The height of the box can be adjusted by raising the insertion with screws. For higher concrete layer than 95 mm is necessary to use a levelling set SN (4pcs).
The box is adapted for the installation of electrical pipes and floor trunkings.



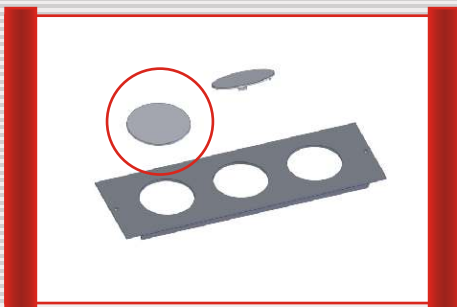
KPP 80
instrument floor box

Universal instrument box designated for assembly into the box KOPOBOX 80 (max. 2 pc).
The package includes 4 pc of straps for mechanical anchoring of the cables.



PP 80/0; PP 80/3; PP 80/45
instrument underlay

The instrument underlay is installed into the frame of the floor box KOPOBOX 80. Assembly is recommended together with the Instrument box KPP 80.
PP 80/3 - serves for the assembly of up to 3 pc of classic instruments
PP 80/45 - serves for the assembly of up to 4 pc of modular instruments
PP 80/0 - serves for the closing off of the unused area



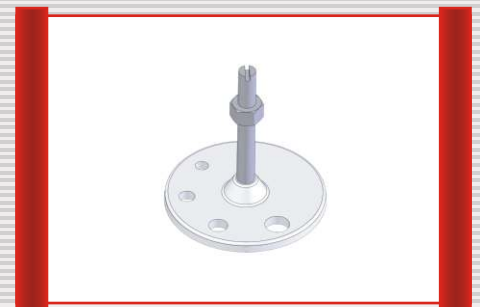
ZPP
end cap

Designated for closing off non-mounted openings on the Instrument underlay PP 80/3.



PKUP
partition

The partition is designated for dividing the internal area of the box KOPOBOX 80, in the case, that there are not used the instrument boxes KPP 80 and the installation is performed directly into instrument underlay PP 80.



SN
leveling set

Serves for the setting of the precise height of the universal box KUP 57 or KUP 80 during the concreting of floors.